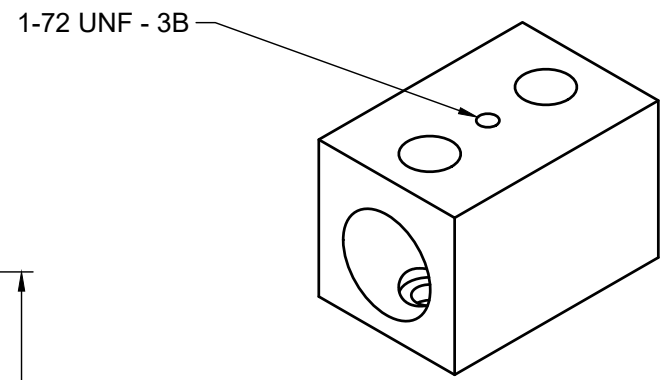
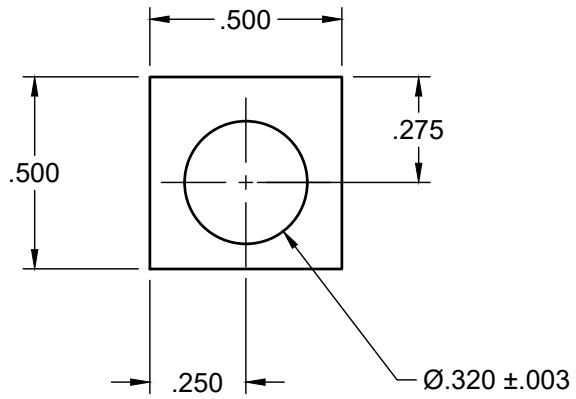


SECTION A-A
SCALE 2:1



PHILTEC

PHILTEC, Inc.
ANNAPOLIS, MD 21409

B31 Stage Block

DATE
6 Nov '23

DWG. NO.
12324

REV
PAGE
1 of 2

